

Contents

1. Operating Precautions5

2. General Description7

 2.1 Display Characteristics 7

 2.2 Optical Characteristics..... 8

3. Functional Block Diagram11

4. Absolute Maximum Ratings12

 4.1 Absolute Ratings of TFT LCD Module 12

5. Electrical Characteristics13

 5.1 TFT LCD Module 13

 5.2 Backlight Unit..... 14

6. Signal Characteristic.....15

 6.1 Pixel Format Image 15

 6.2 Signal Description..... 16

 6.3 Interface Timing 18

 6.4 Power ON/OFF Sequence 20

7. Reliability Test Criteria.....21

8. Mechanical Characteristics22

 8.1 LCM Outline Dimension 22

9. Label and Packaging.....23

 9.1 Shipping Label (on the rear side of TFT-LCD display) 23

 9.2 Carton Package 23

10 Safety.....24

 10.1 Sharp Edge Requirements..... 24

 10.2 Materials 24

 10.3 Capacitors..... 24

 10.4 National Test Lab Requirement..... 24



AUO Display+

Record of Revision

AUO Display Plus Confidential
AVNET_EU
20220413 19:49:11

AUO Display Plus Confidential
AVNET_EU
20220413 19:49:11

AUO Display Plus Confidential
AVNET_EU
20220413 19:49:11

AUO Display Plus Confidential
AVNET_EU
20220413 19:49:11

ADP Confidential

Version	Date	Page	Old description	New Description
V 0.1	2013/9/18	All	First Edition	
V 0.2	2013/10/3	6	Uniformity Condition: 5 Points Uniformity Max Value: 1.3	Uniformity Conditions: 9 Points Delete Uniformity Max Value
		7	Note 3: Uniformity 5 Points	Note 3: Uniformity 9 Points
		21	Thermal Cycle: -30 (1 hour) ~ 80 (1 hour), Total 50 cycles	Thermal Cycle: -30 (30mins) ~ 80 (30 mins), Total 50 cycles
Ver 0.3	2013/11/21	5	40 pins RGB	40 pins RGB (8-bits)
		6	Response Time	Delete Response time for Rising & Falling only
		9	Functional Block Diagram	Update Functional Block Diagram
		14	Pixel Format Image	Update Pixel Format Image
		15~16	Pin assignment	Pin assignment update
		17	Signal AC Characteristics	Remove Hsync, Vsync
		19	Power ON/OFF Sequence	Remove Hsync, Vsync
		21	LCM Outline dimension: TBD	Add LCM Outline dimension 2D drawing
Ver 0.4	2013/12/16	5	Real Outline Dimension: TBD	Update Outline information
		6	RGBW Chromaticity: TBD	Update Simulation RGB Chromaticity
		20	RA Test criteria: THB & MTBF	Add " Power On" for THB & MTBF
		21	LCM Outline Dimension Drawing	Update Drawing
Ver 0.5	2014/03/04	5	Surface Treatment: Anti-Glare	Surface Treatment: Glare type
		20	Reliability test	Add note for reliability test section
		21	2D Drawing	2D Drawing update
Ver 0.6	2014/03/12	5	LCD Typical Power Consumption	Update reference LCD Typical Power Consumption
		5	Surface Treatment: Glare type	Surface Treatment: Glare type, 3H
		5	Weight	Weight: add reference Weight value
		11	Power Specification	Update Power Specification
		19	Power ON/OFF Sequence	Update power on timing
		21	2D drawing	2D Drawing update Add viewing direction and resolution
Ver 0.7	2014/4/24	22	Packaging information: 150 pcs/carton	Update packaging information: 120 pcs/carton
Ver 0.8	2014/6/30	7	Note 1: Measurement Method	Update Note 1
		8	Note 5: Definition of response time:	Update Note 5: Definition of response time:
		20	Reliability Test criteria: Thermal Shock	Reliability Test criteria: Thermal Cycle Remove Note 1
		21	2D Drawing	Update 2D Drawing
Ver 1.0	2015/8/4	5	Weight:58	Weight: 58+/-2
		6	Viewing Direction	Delete Viewing Direction

1. Operating Precautions

- 1) Since front polarizer is easily damaged, please be cautious not to scratch it.
- 2) Be sure to turn off power supply when inserting or disconnecting from input connector.
- 3) Wipe off water drop immediately. Long contact with water may cause discoloration or spots.
- 4) When the panel surface is soiled, wipe it with absorbent cotton or soft cloth.
- 5) Since the panel is made of glass, it may be broken or cracked if dropped or bumped on hard surface.
- 6) To avoid ESD (Electro Static Discharge) damage, be sure to ground yourself before handling TFT-LCD Module.
- 7) Do not open nor modify the module assembly.
- 8) Do not press the reflector sheet at the back of the module to any direction.
- 9) In case if a module has to be put back into the packing container slot after it was taken out from the container, do not press the center of the LED Reflector edge. Instead, press at the far ends of the LED Reflector edge softly. Otherwise the TFT Module may be damaged.
- 10) At the insertion or removal of the Signal Interface Connector, be sure not to rotate nor tilt the Interface Connector of the TFT Module.
- 11) After installation of the TFT Module into an enclosure (Notebook PC Bezel, for example), do not twist nor bend the TFT Module even momentary. At designing the enclosure, it should be taken into consideration that no bending/twisting forces are applied to the TFT Module from outside. Otherwise the TFT Module may be damaged.
- 12) Small amount of materials having no flammability grade is used in the LCD module. The LCD module should be supplied by power complied with requirements of Limited Power Source (IEC60950 or UL1950), or be applied exemption.
- 13) Severe temperature condition may result in different luminance, response time.
- 14) Continuous operating TFT-LCD Module under high temperature environment may accelerate LED light bar exhaustion and reduce luminance dramatically.
- 15) The data on this specification sheet is applicable when LCD module is placed in landscape position.
- 16) Continuous displaying fixed pattern may induce image sticking. It is recommended to use screen saver or shuffle content periodically if fixed pattern is displayed on the screen.

2. General Description

This specification applies to the 5.0 inch color TFT LCD module G050VTN01.0.

G050VTN01.0 is built in timing controller and TTL interface. The screen format is intended to support the WVGA (800(H) x 480(V)) screen and 16.2M (6bits + FRC) G050VTN01.0 is a RoHS product.

2.1 Display Characteristics

The following items are characteristics summary on the table under 25 °C condition:

Items	Unit	Specifications
Screen Diagonal	[inch]	5.0
Active Area	[mm]	108.0(W) x 64.8(H)
Pixels H x V		800 x 3(RGB) x 480
Pixel Pitch	[mm]	0.135(W) x 0.135(H)
Pixel Arrangement		R.G.B. Vertical Stripe
Display Mode		TN, Normally White
Nominal Input Voltage VDD	[Volt]	3.3 typ.
LCD Typical Power Consumption	[Watt]	0.25 typ.
Back Light Power Consumption	[Watt]	0.54 typ.
Weight	[Grams]	58±2
Physical Size	[mm]	120.7(W) x 76.3(H)x 3.1(D)
Electrical Interface		40 pins RGB 8-bits
Surface Treatment		Glare type, 3H
Support Color		16.2M(6 bits + FRC)
Temperature Range		
Operating	[°C]	-20 to +70
Storage (Non-Operating)	[°C]	-30 to +80
RoHS Compliance		RoHS Compliance
Gray Scale Inversion Direction		6" o'clock

2.2 Optical Characteristics

The optical characteristics are measured under stable conditions at 25°C (Room Temperature):

Item	Unit	Conditions	Min.	Typ.	Max.	Note
White Luminance	[cd/m ²]	I _F = 20mA (center point)	290	370	-	1
Uniformity	%	9 Points	75%	80%		1.2.3
Contrast Ratio			500	600	-	4
Response Time	[msec]	Rising + Falling	-	20	30	
Viewing Angle	[degree]	Horizontal (Right) CR ≥ 10 (Left)	60	75	-	6
	[degree]		60	75	-	
	[degree]	Vertical (Upper) CR ≥ 10 (Lower)	40	65	-	
	[degree]		60	75	-	
Color / Chromaticity Coordinates (CIE 1931)		Red x	0.558	0.608	0.658	1 & 7
		Red y	0.279	0.329	0.379	
		Green x	0.293	0.343	0.393	
		Green y	0.516	0.566	0.616	
		Blue x	0.111	0.161	0.211	
		Blue y	0.044	0.094	0.144	
		White x	0.26	0.31	0.36	
		White y	0.28	0.33	0.38	
Color Gamut	%		-	50	-	1

Note 1: Measurement method

Equipment: Pattern Generator, Power Supply, Digital Voltmeter, Luminance meter (BM-5A or equivalent)

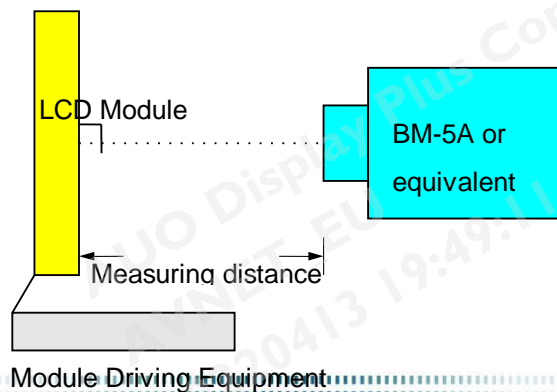
The LCD module should be stabilized at given temperature for 30 minutes to avoid abrupt temperature change during measuring. In order to stabilize the luminance, the measurement should be executed after lighting backlight for 30 minutes in a stable, windless and dark room.

Scanning Direction : Normal Scan

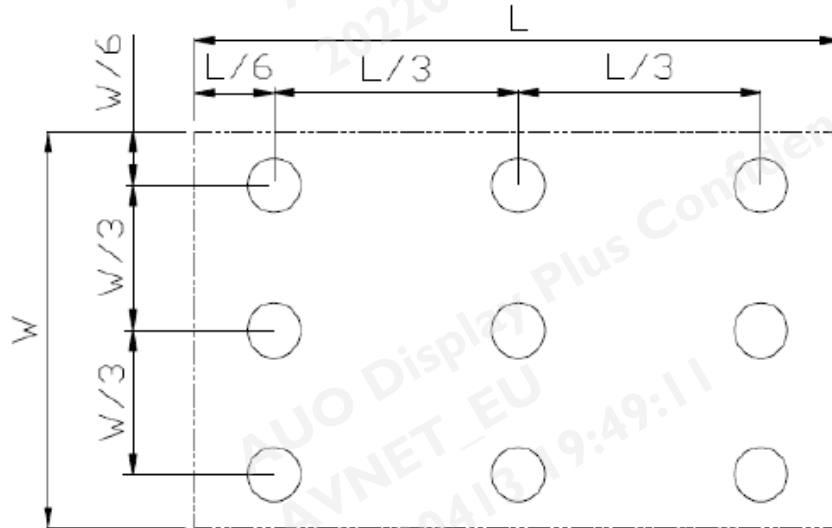
Aperture 1° with 50cm viewing distance

Test Point Center,

Environment < 1 lux



Note 2: Definition of 9 points position (Display active area: 108.0(H) x 64.8(V)) mm



Note 3:

The luminance uniformity of 9 points is defined by dividing the maximum luminance value by the minimum luminance value at full white condition.

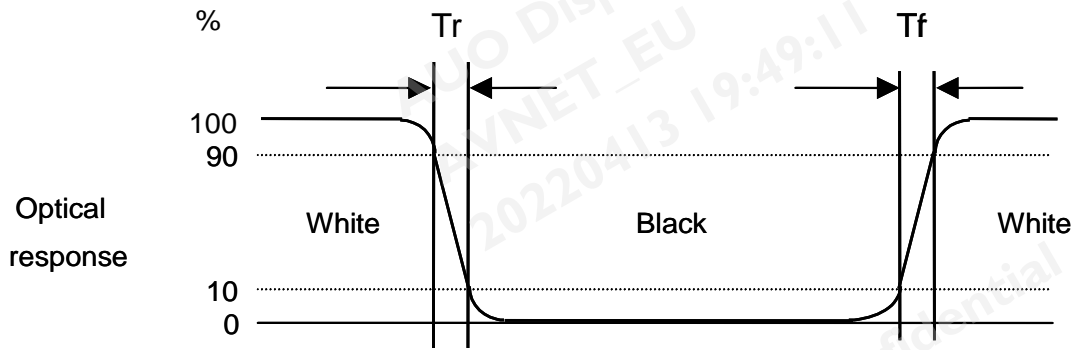
$$\text{Uniformity (\%)} = \frac{\text{Minimum Brightness of nine points}}{\text{Maximum Brightness of nine points}}$$

Note 4 : Definition of contrast ratio (CR):

$$\text{Contrast ratio (CR)} = \frac{\text{Brightness on the "White" state}}{\text{Brightness on the "Black" state}}$$

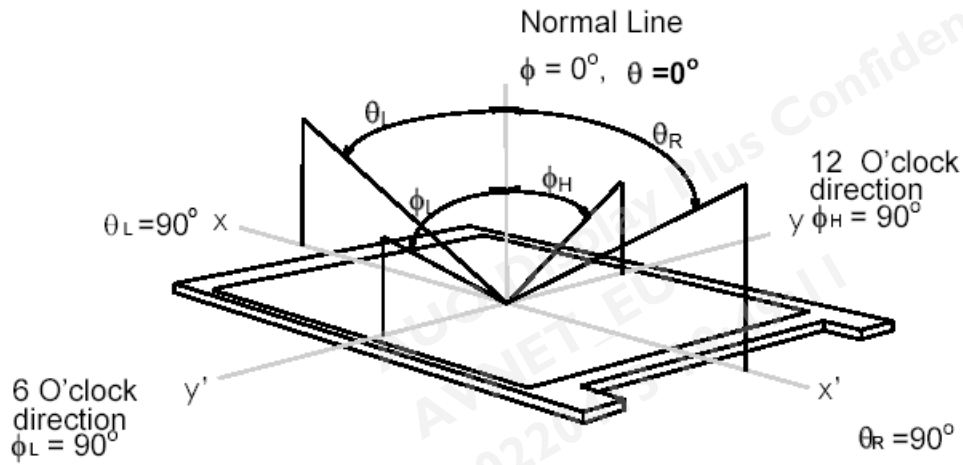
Note 5: Definition of response time:

The output signals of photo detector are measured when the input signals are changed from "Black" to "White" (falling time) and from "White" to "Black" (rising time), respectively. The response time interval is between 10% and 90% of amplitudes. Please refer to the figure as below.



Note 6: Definition of viewing angle

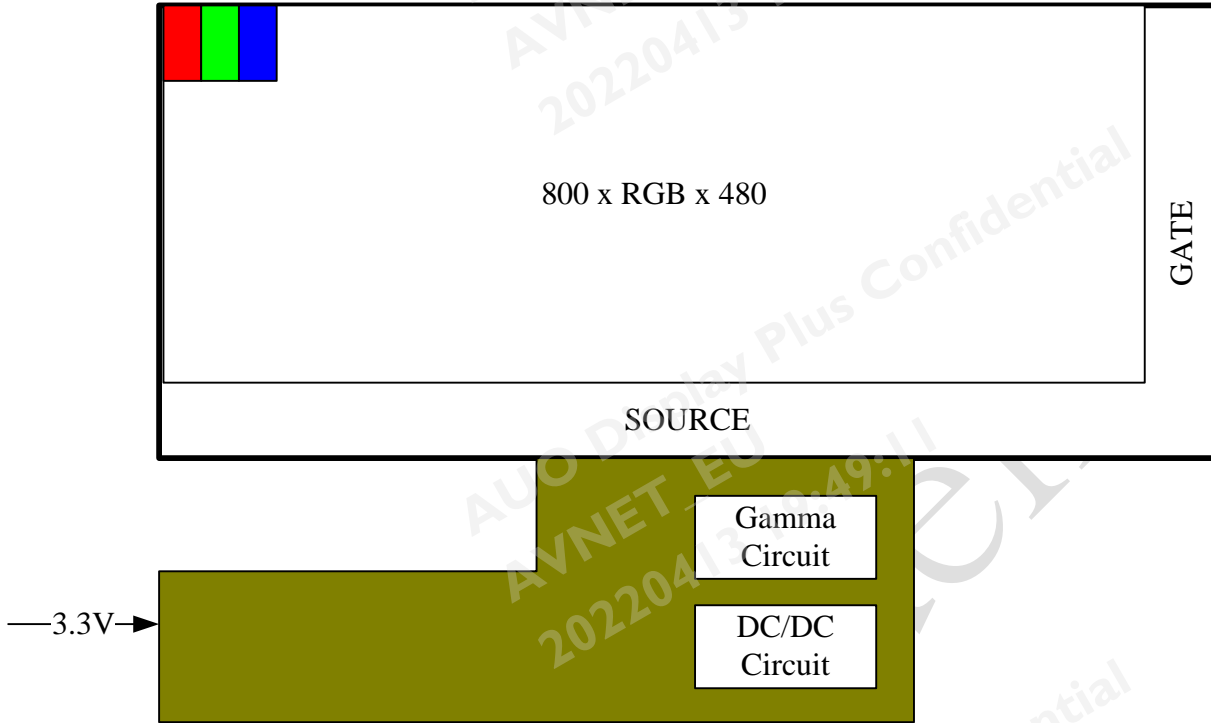
Viewing angle is the measurement of contrast ratio ≥ 10 , at the screen center, over a 180° horizontal and 180° vertical range (off-normal viewing angles). The 180° viewing angle range is broken down as below: 90° (θ) horizontal left and right, and 90° (ϕ) vertical high (up) and low (down). The measurement direction is typically perpendicular to the display surface with the screen rotated to its center to develop the desired measurement viewing angle.



Note 7: RGBW Color Coordinates are based on the simulation result

3. Functional Block Diagram

The following diagram shows the functional block of the 5.0 inch color TFT/LCD module:



4. Absolute Maximum Ratings

4.1 Absolute Ratings of TFT LCD Module

Item	Symbol	Min	Max	Unit	Conditions
LCD Drive Voltage	VDD	-0.3	+5	[Volt]	
Input signal Voltage	Vin	-0.3	+5	[Volt]	

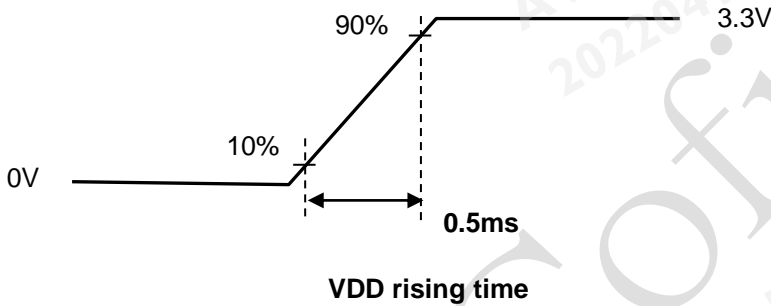
5. Electrical Characteristics

5.1 TFT LCD Module

5.1.1 Power Specification

Symbol	Parameter	Min	Typ	Max	Units	Remark
VDD	Logic/LCD Drive Voltage	3.0	3.3	3.6	[Volt]	±10%
I _{VDD}	VDD Current	-	75	90	[mA]	All Black Pattern (VDD=3.3V, at 60Hz)
P _{VDD}	VDD Power	-	0.25	0.3	[Watt]	All Black Pattern (VDD=3.3V, at 60Hz)
I _{rush}	LCD Inrush Current	-	-	1.5	[A]	Note 1

Note 1: Measurement condition:



5.1.2 Signal Electrical Characteristics

Input signals shall be low or Hi-Z state when VDD is off.

Parameter	Symbol	Min.	Typ.	Max.	Unit	Remarks
Logic Input Voltage for Display Signals	High	V _{IH}	0.7V _D D	-	V _D D	Volt
	Low	V _{IL}	0	-	0.3V _D D	Volt

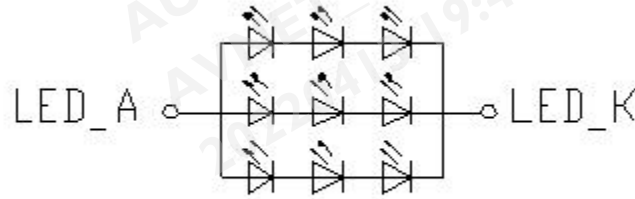
5.2 Backlight Unit

5.2.1 Parameter guideline for LED

Following characteristics are measured under a stable condition using an inverter at 25°C (Room Temperature): The backlight (LED module, Note 1) is suggested to drive by constant current 60mA.

Parameter	Symbol	Min.	Typ.	Max.	Unit	Remark
LED light bar Voltage	V_L	8.4	9	9.9	V	
Current of Each LED	I_{LED}		20		mA	
Power Consumption	P_{BL}	0.504	0.540	0.594	W	Note 1
LED Life Time	L_L	20,000	--	--	Hr	Note 2

Note 1: The LED driving condition is defined for LED module (9 LED). The voltage range will be up to 9.9V based on suggested driving current set as 60mA.



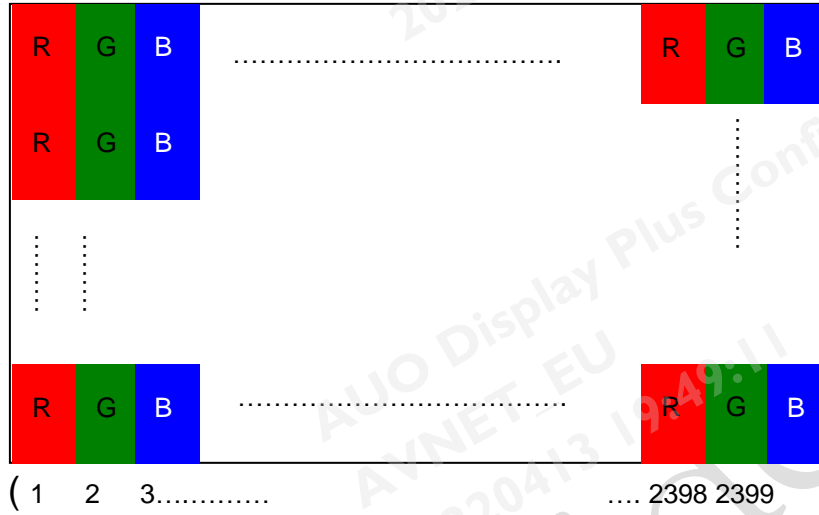
LED circuit

Note 2: Define "LED Lifetime": brightness is decreased to 50% of the initial value. LED Lifetime is restricted under normal condition, ambient temperature = 25°C .

6. Signal Characteristic

6.1 Pixel Format Image

Following figure shows the relationship between input signal and LCD pixel format.



6.2 Signal Description

Recommended connector :

Bottom contact : FCI_62684_4011D0ALF or FH28-40S-0.5SH(05)

Top contact : FCI_62684_4021D0ALF or FH12A-40S-0.5SH

The connector pin definition is as below.

Pin No.	Symbol	I/O	Description
1	VLED-	P	Black light for cathode
2	VLED+	P	Back light for anode
3	VDD	P	Power supply
4	GND	G	Ground
5	Display_EN	I	Stand by mode. (Internal pull low) STBYB="1": Normally operation. STBYB="0": Standby mode. Timing controller, source driver will turn off, all output are High-Z
6	R0	I	Red Data input (LSB)
7	R1	I	Red Data input
8	R2	I	Red Data input
9	R3	I	Red Data input
10	GND	G	Ground
11	R4	I	Red Data input
12	R5	I	Red Data input
13	R6	I	Red Data input
14	R7	I	Red Data input (MSB)
15	GND	G	Ground
16	G0	I	Green Data input (LSB)
17	G1	I	Green Data input
18	G2	I	Green Data input
19	G3	I	Green Data input
20	GND	G	Ground
21	G4	I	Green Data input
22	G5	I	Green Data input
23	G6	I	Green Data input
24	G7	I	Green Data input (MSB)
25	GND	G	Ground
26	B0	I	Blue Data input (LSB)
27	B1	I	Blue Data input
28	B2	I	Blue Data input

AUO Display+

29	B3	I	Blue Data input
30	GND	G	Ground
31	B4	I	Blue Data input
32	B5	I	Blue Data input
33	B6	I	Blue Data input
34	B7	I	Blue Data input (MSB)
35	GND	G	Ground
36	DCLK	I	Clock for input data. Data latched at falling edge of this signal.
37	GND	G	Ground
38	DE	I	Data input enable. Active high to enable the data input bus under "DE Mode".
39	HSYNC	I	Horizontal sync input (Only use DE mode, please pull low)
40	VSYNC	I	Vertical sync input (Only use DE mode, please pull low)

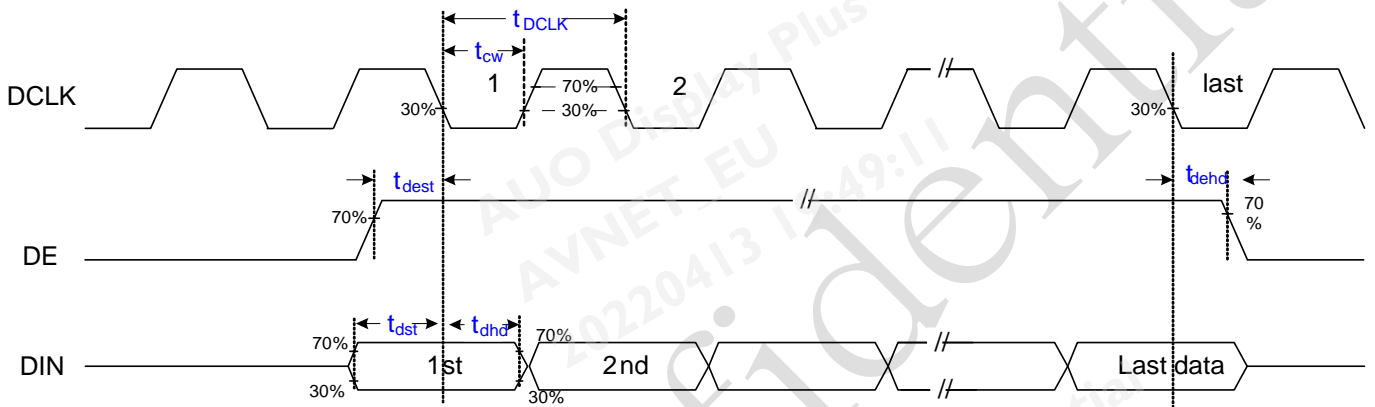
Note1 : I/O Definition, I = Input, P = Power, G = Ground.

Note2 : "Low" stands for 0V. "High" stands for 3.3V.

6.3 Interface Timing

6.3.1 Signal AC Characteristics

Parameter	Symbol	Min.	Typ.	Max.	Unit	Remark
DCLK duty cycle	D_{cw}	40	50	60	%	$t_{cw} / t_{DCLK} \times 100\%$
Data Setup Time	t_{dst}	12	--	--	ns	
Data Hold Time	t_{dhd}	12	--	--	ns	
DE Setup Time	t_{dest}	12	--	--	ns	
DE Hold Time	t_{dehd}	12	--	--	ns	

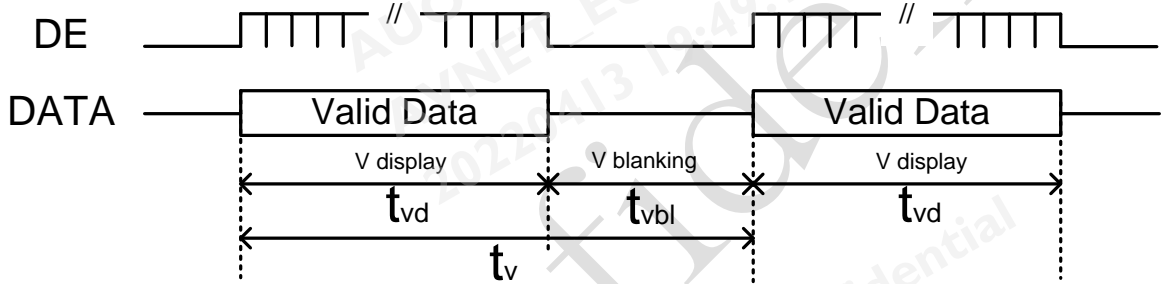


6.3.2 Input Timing Characteristics

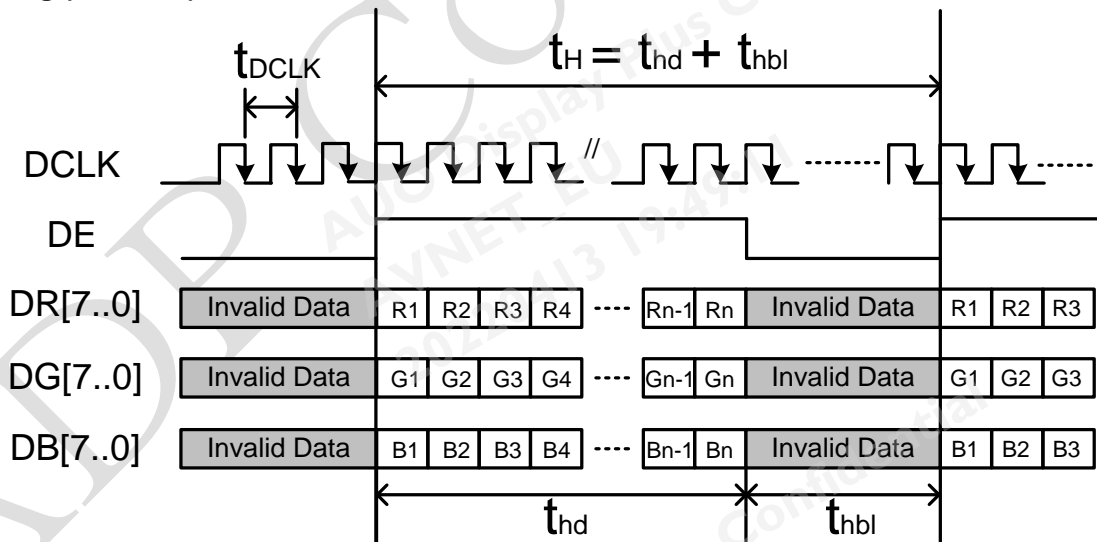
DE mode

Parameter		Symbol	Min.	Typ.	Max.	Unit.	Remark
DCLK	Frequency	$1/t_{DCLK}$	25	30	36	MHz	
Frame Rate	Frequency		55	60	65	Hz	
1 Frame Scanning Time	Cycle	t_v	484	525	735	t_H	
	Display Period	t_{vd}	480			t_H	
	Blanking	t_{vbl}	4	45	255	t_H	
1 Line Scanning Time	Cycle	t_H	885	928	1312	t_{DCLK}	
	Display Period	t_{hd}	800			t_{DCLK}	
	Blanking	t_{hbl}	85	128	512	t_{DCLK}	

Vertical timing (DE mode):

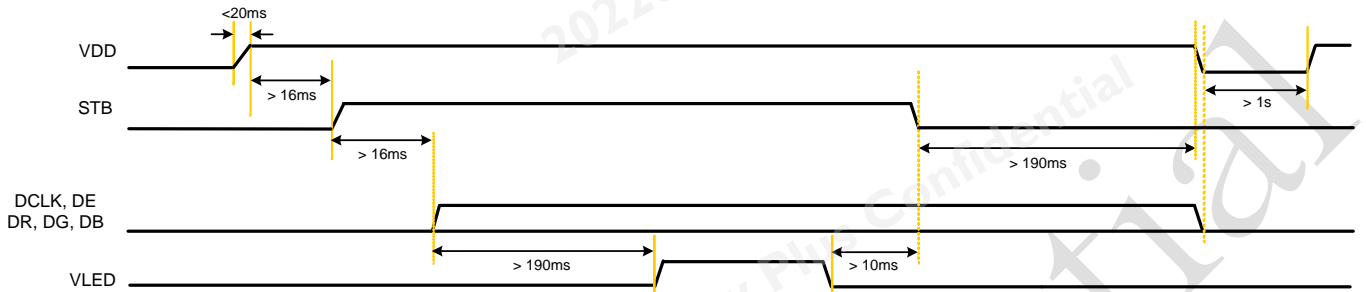


Horizontal timing (DE mode):



6.4 Power ON/OFF Sequence

VDD power and backlight on/off sequence is as below. Interface signals are also shown in the chart. Signals from any system shall be Hi-Z state or low level when VDD is off.



The above on/off sequence should be applied to avoid abnormal function in the display. Please make sure to turn off the power when you plug the cable into the input connector or pull the cable out of the connector.

7. Reliability Test Criteria

Items	Required Condition	Note
Temperature Humidity Bias	60°C/90%,240 hours, Power On	Note 1
High Temperature Operation	70°C,240 hours	
Low Temperature Operation	-20°C,240 hours	
Hot Storage	80°C,240 hours	
Cold Storage	-30°C,240 hours	
Thermal Shock	-30°C(30mins)<- -> + 80 °C(30 mins) Total 50 Cycles	
Shock Test (Non-Operating)	60G,6ms, 3 times for each direction	
Vibration Test (Non-Operating)	Frequency Range : 10 ~ 55 Hz Stroke : 1.5mm Sweep : 10 Hz ~ 55 Hz ~ 10 Hz 2 hours for each direction of X, Y, Z(6 hours of total)	
Vibration Test (Packaging Box)	Acceleration :2.0G Frequency Range : 10 ~ 100 Hz 2 hours for each direction of X, Y, Z.(6 hours of total)	
On/off test	On/10 sec, Off/10 sec, 30,000 cycles	
Drop Test	Height: 750mm Drop test must be done 6 times Once corner each time One flat sides each time	
ESD	Contact Discharge: ± 4KV, 150pF(330Ω) Air Discharge: ± 8KV, 150pF(330Ω) 6 times at each test point	Note 1 & 2

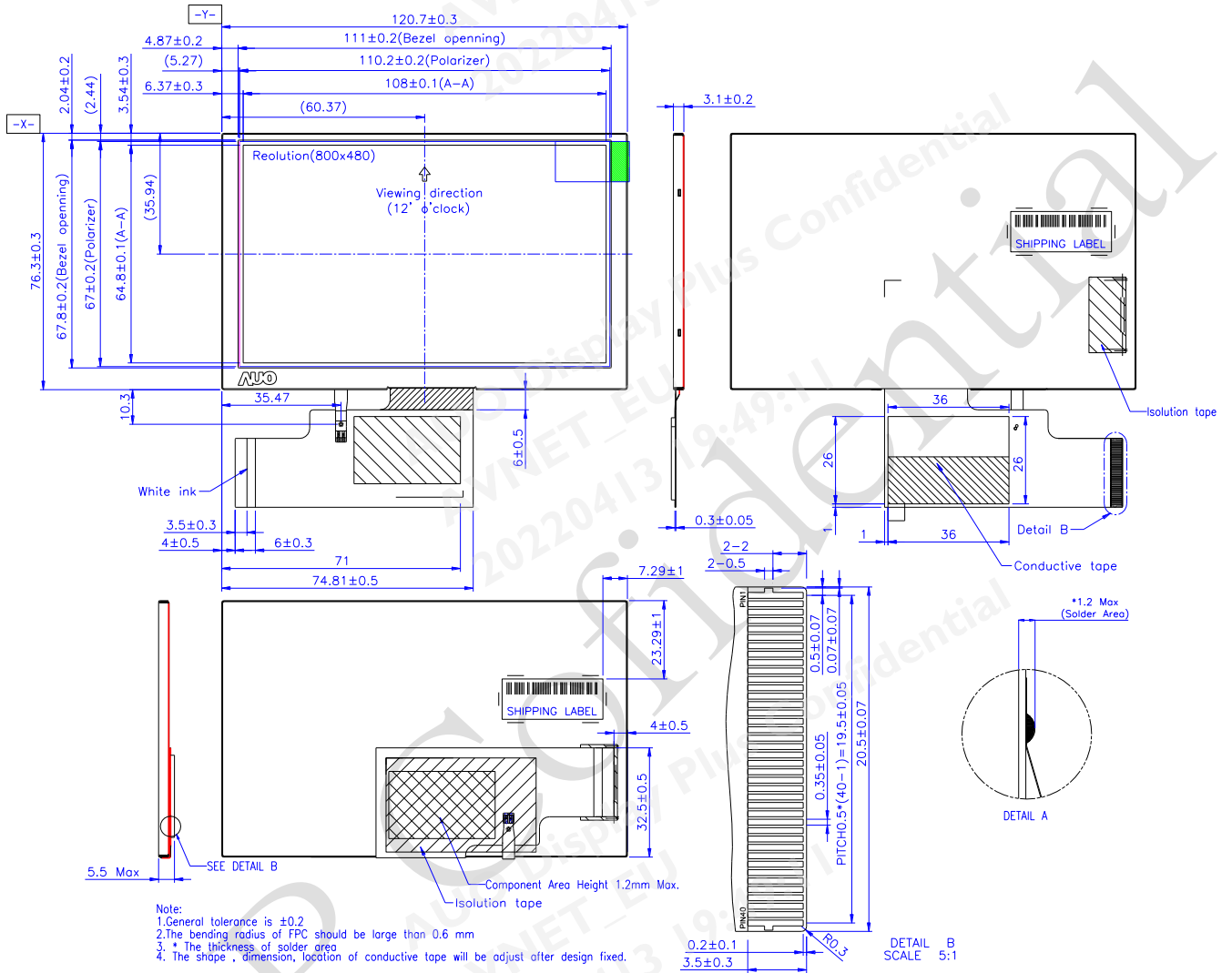
Note 1: In the standard conditions, there is not display function NG issue occurred. All the cosmetic specification

is judged before the reliability stress

Note 2: According to EN61000-4-2, ESD class B: Some performance degradation allowed. No data lost
Self-recoverable. No hardware failures.

8. Mechanical Characteristics

8.1 LCM Outline Dimension

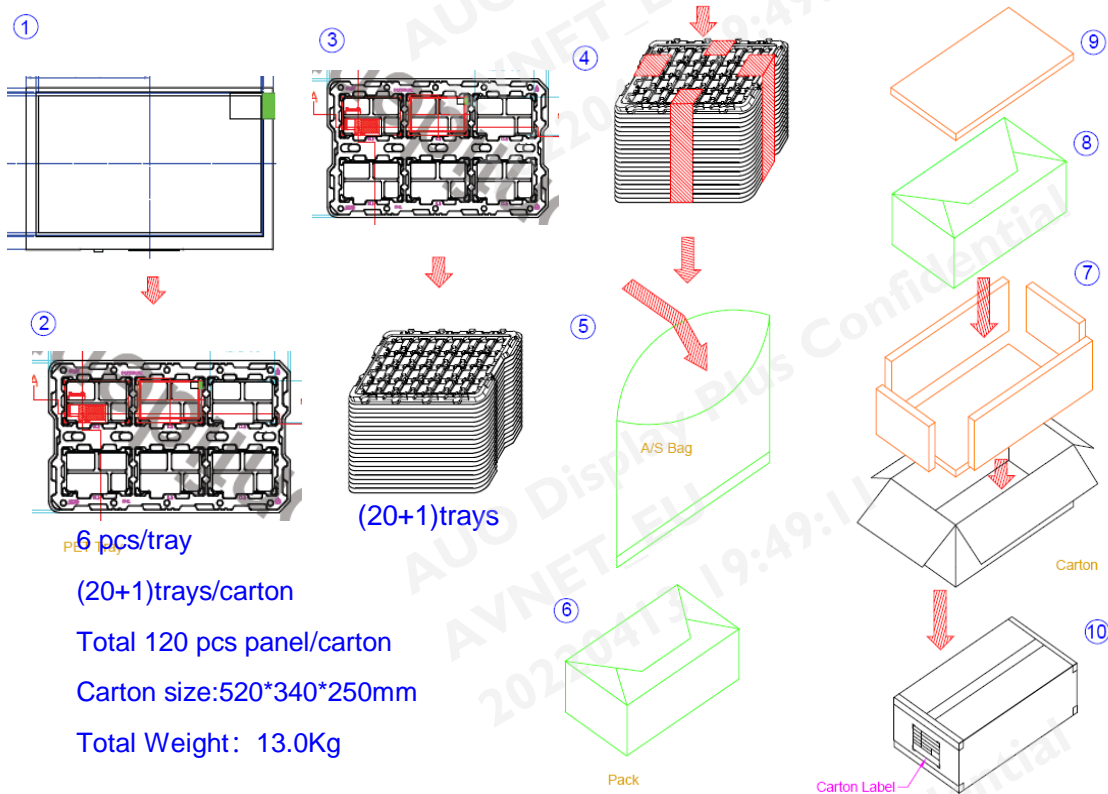


9. Label and Packaging

9.1 Shipping Label (on the rear side of TFT-LCD display)



9.2 Carton Package



10 Safety

10.1 Sharp Edge Requirements

There will be no sharp edges or corners on the display assembly that could cause injury.

10.2 Materials

10.2.1 Toxicity

There will be no carcinogenic materials used anywhere in the display module. If toxic materials are used, they will be reviewed and approved by the responsible AUO toxicologist.

10.2.2 Flammability

All components including electrical components that do not meet the flammability grade UL94-V1 in the module will complete the flammability rating exception approval process.

The pRxINted circuit board will be made from material rated 94-V1 or better. The actual UL flammability rating will be pRxINted on the pRxINted circuit board.

10.3 Capacitors

If any polarized capacitors are used in the display assembly, provisions will be made to keep them from being inserted backwards.

10.4 National Test Lab Requirement

The display module will satisfy all requirements for compliance to:

UL 1950, First Edition

U.S.A. Information Technology Equipment